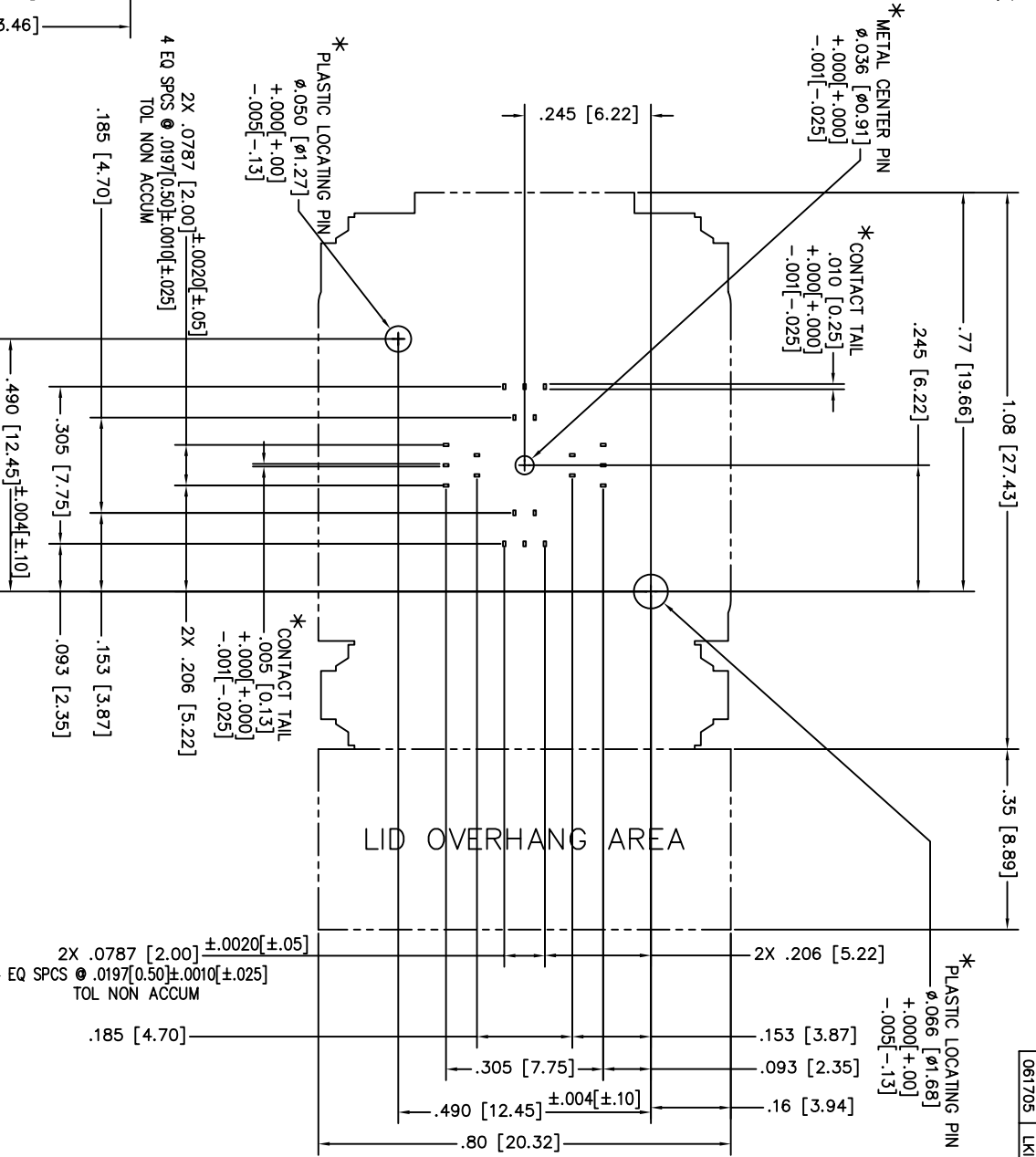
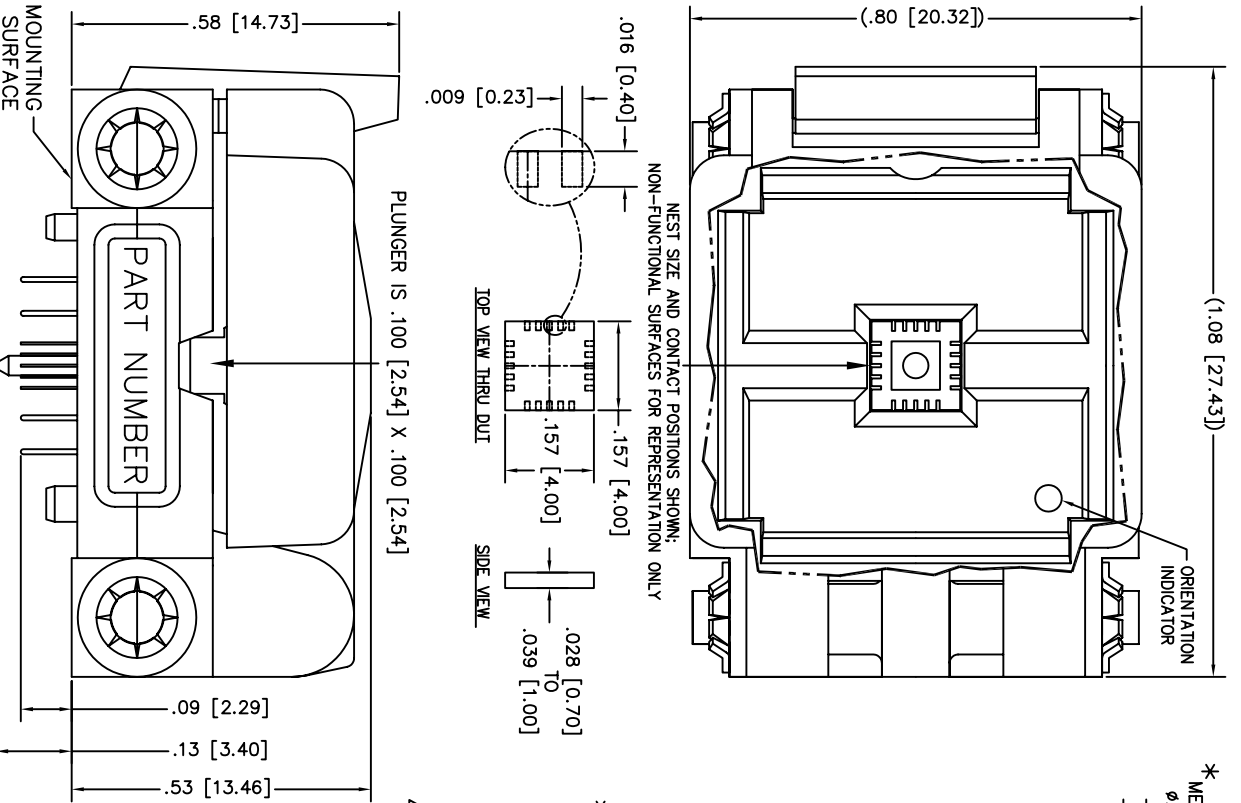


NOTE : * DIMENSIONS OF SOCKET FEATURES SHOWN.
 BOARD DESIGNER SHOULD SELECT APPROPRIATE HOLE
 SIZES TO PROVIDE A SLIP FIT FOR THESE FEATURES.



FOOTPRINT AS VIEWED FROM TOP OF SOCKET

PROPRIETARY

PART NUMBER
 200QNSOK14040

SIZE: C
 DWG NO.: 200QNSOK14040
 SH: 1/1

UNLESS OTHERWISE SPECIFIED
 XXX = ±.003 SURFACE
 XX = ±.010 FINISH
 X = ±.020 ANGLE = 45
 ALL DIM ARE IN INCHES
 REMOVE ALL BURS AND
 SHARP EDGES

SCALE: NONE DATE: 06/17/05
 DWG: LKI
 ENGR: APP/ID

TITLE: QFN SOCKET;
 4 x 4mm, 0.50mm-PITCH;
 20 CONTACTS PLUS CENTER PIN;
 THRU-HOLE
 ASTROMOS 2801 TEXAS DRIVE
 IRVING, TX, 75062

THIS DRAWING IS SUBJECT TO CHANGE WITHOUT
 NOTICE. PLEASE REQUEST A CURRENT DRAWING
 WHEN LAYING OUT BOARDS.

FEATURES-K
 = OFFSET CONTACT

DATE	INT
06/17/05	LKI